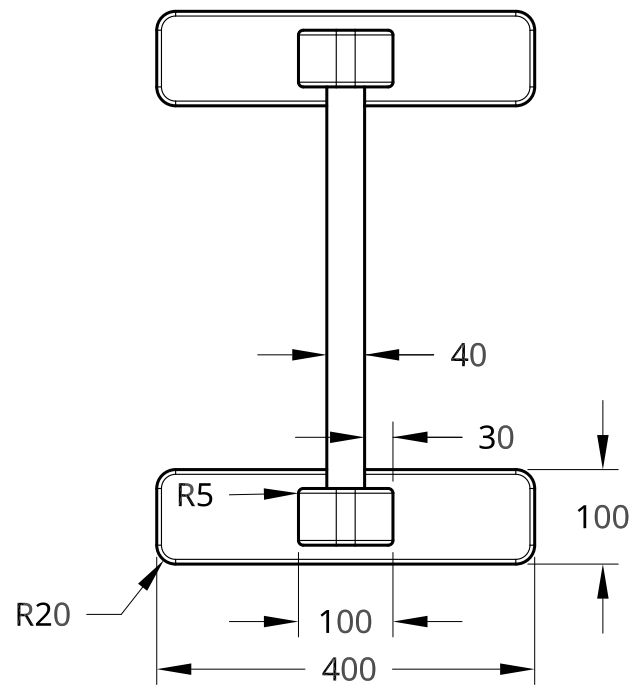
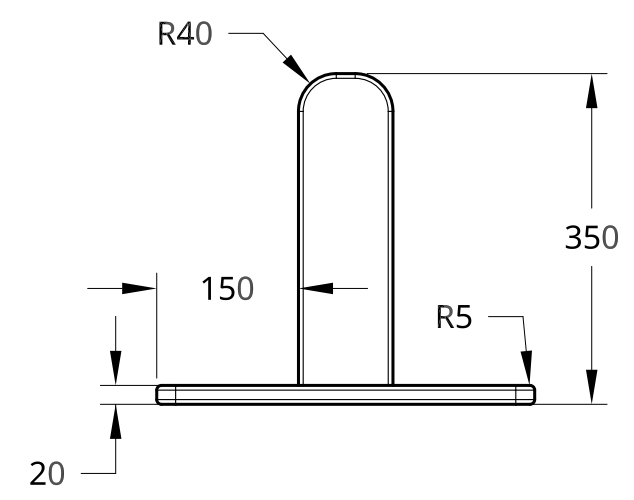


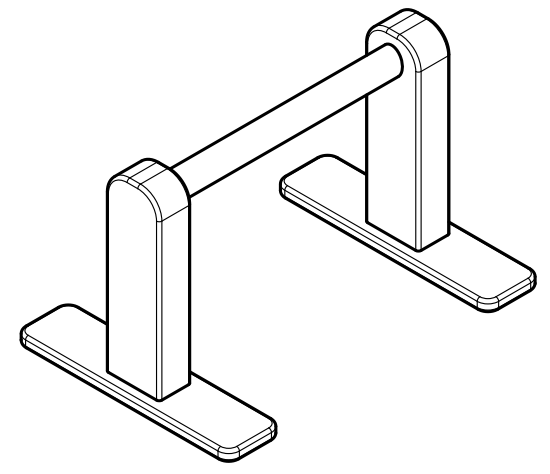
B



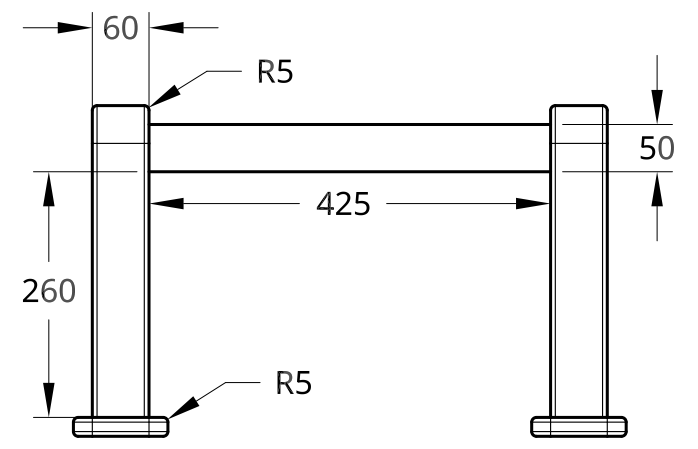
A





1



B



A

UNLESS OTHERWISE SPECIFIED, DIMENSIONS ARE IN MILLIMETERS  ANGULAR = ± °  SURFACE FINISH   DO NOT SCALE DRAWING  BREAK ALL SHARP EDGES AND REMOVE BURRS  THIRD ANGLE PROJECTION 	NAME	DATE	TITLE ----- ----- ----- -----			
	DRAWN					
	CHECKED					
	APPROVED					
MATERIAL Plywood	FINISH		SIZE A	DWG NO. -----	REV. -	
			SCALE 1:8	WEIGHT	SHEET 1 of 1	

2

1